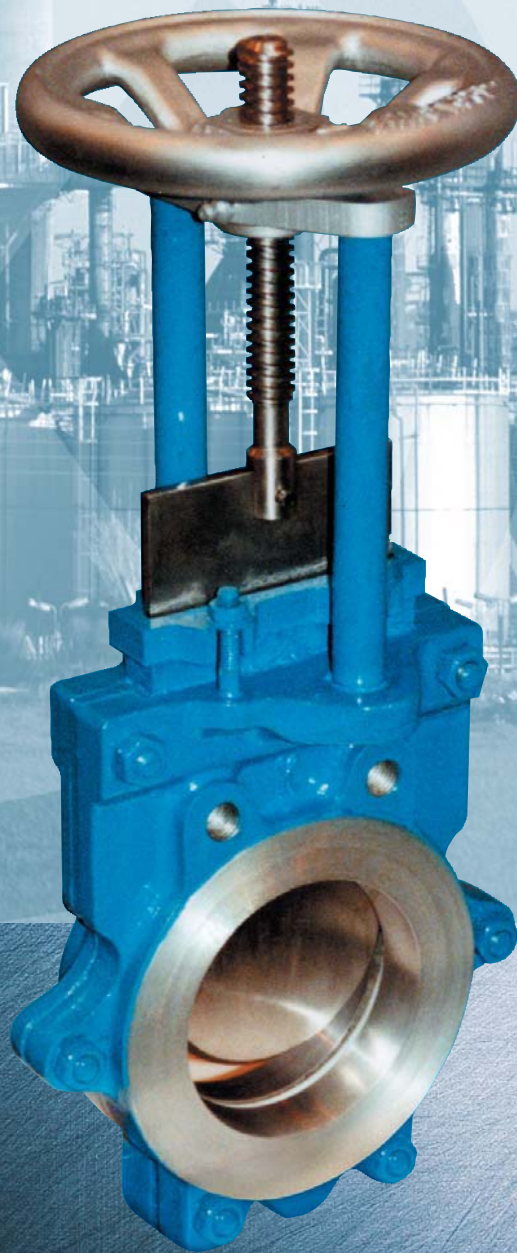




**KEMPSTER
ENGINEERING**
KNIFE GATE VALVES

TYPE KV10



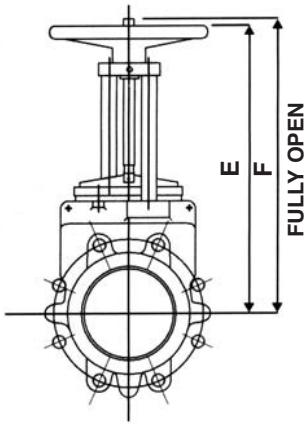
**Slurries
Chemicals
Clean Process
Smooth Full Bore
Resilient or Metal
Seated**



2002/262

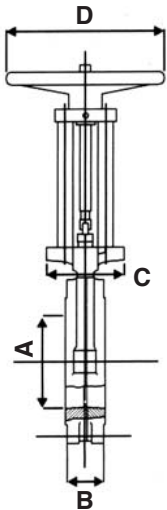


TYPE KV10



Full bore design resilient and metal seated Knife Gate Valve providing tight shut off on sludges, slurries, powders and clean fluids. Smooth round bore and chamfered blade handle a variety of media with minimum pressure drop. The smooth machined finish is ideal for stringy materials e.g. long fibre paper stock. Full clear bore suitable for pigging. Minimal chest volume. A compact valve with minimum weight and maximum economy, for use with high value materials.

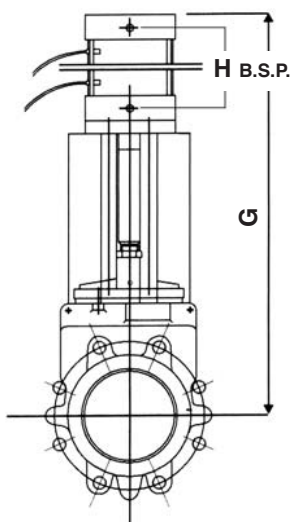
- VALVE BODY: Manufactured from bronze, aluminium, carbon/stainless steel, cast iron, duplex and Hastelloy
- BLADE: Manufactured from stainless steel, duplex and Hastelloy
- SPINDLE: 'Rising spindle' design manufactured from stainless steel
- GLAND PACKING: Mica-lube cotton, alternatively PTFE or other grade to suit application
- SEAL: Nitrile rubber, EPDM, Viton, solid PTFE, metal and others
- FACINGS: To suit flanges BS EN1092 NP10, NP16, ANSI 150, DIN ND10, BST 'D' or 'E' & others
- PNEUMATIC CYLINDERS: 'ISO' type with stainless steel piston rods, sized to suit 5 bar operating air pressure



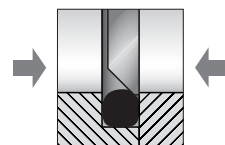
Optional extras include extension spindles and locking facilities, solenoid valves, limit switches pillar mounted or alternatively cylinder mounted reed switches with magnetic piston. KV10 can also be supplied without blade seal for use with self-sealing products.

Valve Nominal Bore* (mm)	Max Working Pressure (bar)	Max Differential Pressure (bar)
50-300	10	10

Bore* A (mm)	B (mm)	C (mm)	D (mm)	E (mm)	F (mm)	Weight (kg)	G (mm)	BSP H (inch)	ISO Cyl Bore (mm)
50	40	110	180	328	337	9	545	1/2	80
65	40	110	180	338	353	9	565	1/2	80
80	50	110	180	388	426	13	620	1/2	100
100	50	110	180	416	489	15	730	1/2	100
125	50	110	180	460	560	20	775	1/2	100
150	60	120	255	460	600	25	895	3/4	125
200	60	120	255	580	720	36	1075	3/4	125
250	70	197	380	747	969	62	1265	3/4	160
300	70	197	380	855	1120	73	1365	3/4	160

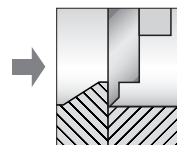


Resilient Bi-directional Sealing



Tight shut off
Clear bore, unrestricted flow
Seal mechanically retained

Metal Seated Uni-directional Sealing



Tight shut off with self sealing
heavy process or powders
Minimal leakage with clean process
Clear bore inlet, unrestricted flow

Cylinder operation safety guard fitted as required

Kempster Engineering Ltd

Unit 1 Astra Centre Royle Barn Road Rochdale Lancashire OL11 3DT U.K.

Tel: +44 (0) 1706 34 55 99 Fax: +44 (0) 1706 65 73 96

Email: sales@kempsteruk.com

